

Marine Projects Ltd.
 Technical Office
 80-605 GDANSK, ul. Sienna 45
 tel.: (58) 732 69 30
 marproj@marpro.pl
 www.marineprojects.pl

CONRAD SHIPYARD
 CONRAD S.A. POLSKA ul. 605 GOSKOWA 20/21A 45
 tel.: +48 58 220 54 00 Fax: +48 58 220 54 01
 e-mail: conrad@conradshipyard.com
 www.conradshipyard.com

Title: Wykres wysięgów i obciążeń	
SubTitle: Dźwig Conrad Consul	
Drawing No.: CC4	Rev.: 2
Project No.: 011	Part No. 1: 002
Drawn: MM	Scale: 1:100
Checked: AB	Format: A1
Date: 25.04.2018	Sheet: 1/1
Date: 26.04.2018	

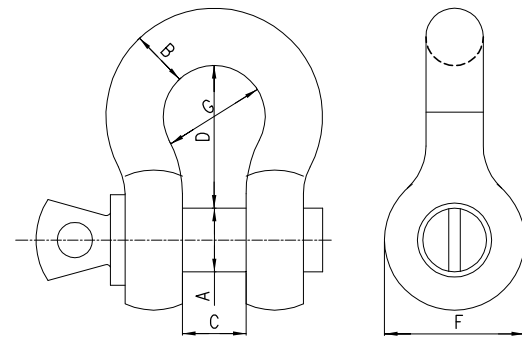
This document is property of Marine Projects Ltd. and cannot be copied, published and modified in whole or in part without our written permission.

OSPRZĘT DŹWIGOWY DŹWIGU PŁYWAJĄCEGO "CONRAD CONSUL" LIFTING EQUIPMENT OF FLOATING CRANE "CONRAD CONSUL"

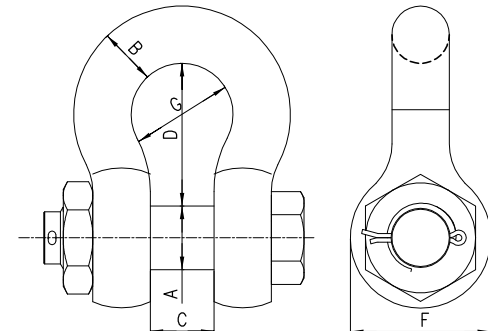
SZAKLE STANDARDOWE STANDARD SHACKLES

Lp.	DOR (WLL) [t]	Wymiary [mm]							Ilość [szt.]	
		A	B	C	D	E	F	G	Typ BW	Typ BX
1.	12,0	35	32	51	115	94	74	83	-	4
2.	17,0	42	38	60	146	127	89	99	1	3
3.	25,0	50	45	74	178	149	104	126	4	4
4.	35,0	57	50	83	197	171	111	138	-	4
5.	85,0	83	75	127	329	229	163	190	-	4

SZAKLE STANDARDOWE TYP BW



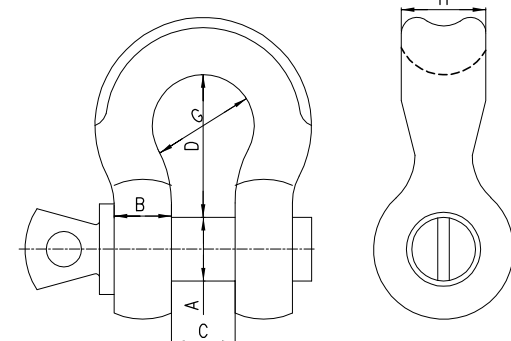
SZAKLE STANDARDOWE TYP BX



SZAKLE ZAWIESIOWE SLING SHACKLES

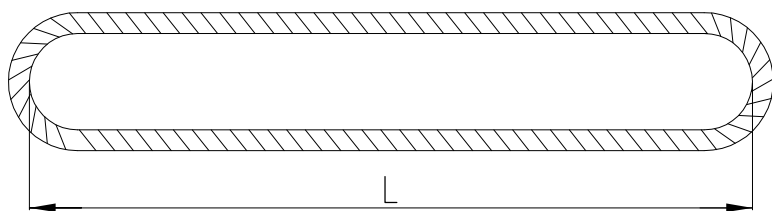
Lp.	DOR (WLL) [t]	Wymiary [mm]						Ilość [szt.]
		A	B	C	D	G	H	
1.	40,0	50	45	73	210	140	95	4
2.	55,0	56	60	90	240	160	115	5
3.	75,0	70	70	105	290	185	120	4
4.	125,0	80	80	130	365	220	150	4
5.	150,0	95	90	140	390	250	170	4

SZAKLE ZAWIESIOWE



GROMMET SLINGS

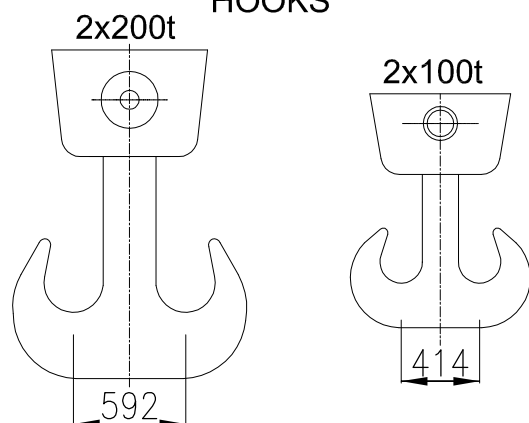
Lp.	DOR (WLL) [t]	L [m]	wire diam. [mm]	Ilość [szt.]
1.	159,0	18	90	4
2.	93,0	18	72	4
3.	93,0	4	72	4
4.	159,0	4	90	4
5.	159,0	8	90	4
6.	93,0	8	72	4



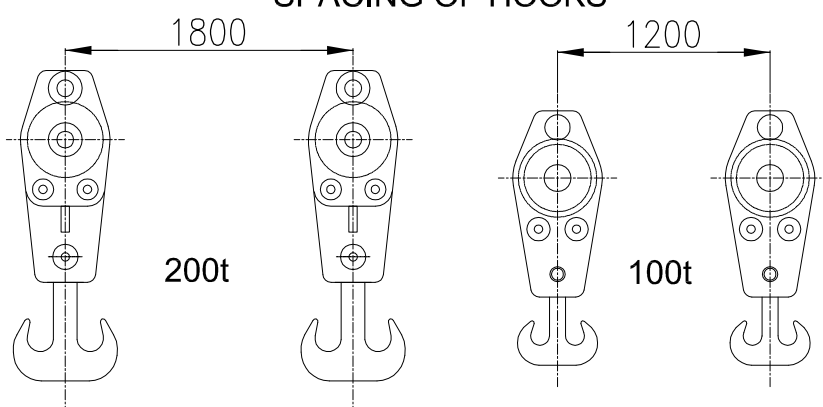
SLINGS WITH EYE

Lp.	DOR (WLL) [t]	L [m]	wire diam. [mm]	B [m]	C [cm]	Ilość [szt.]
1.	47,7	12	60	1,23	15	4
2.	47,7	4	60	1,23	15	4
3.	36	10	53	0,92	15	2
4.	36	8	53	0,92	16	2
5.	36	6	53	0,92	16	4
6.	25	6	45	0,15	15	4
7.	17	10	40	0,15	12,5	4
8.	21	3	27	0,33	-	4
9.	19,8	9	45	0,46	13,5	4

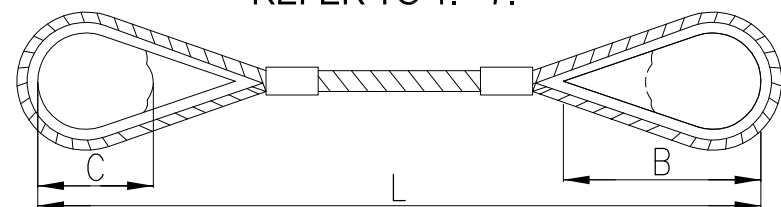
HOOKS



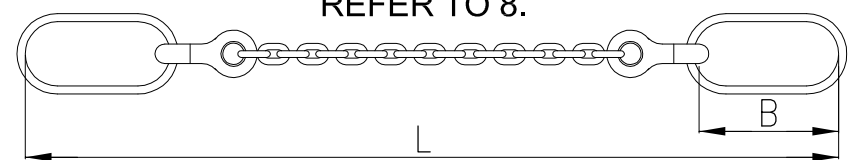
SPACING OF HOOKS



REFER TO 1. - 7.



REFER TO 8.



REFER TO 9.

